

NTN[®]

[KIZEI][®]

ISO SPHERICAL ROLLER BEARING WITH SHIELDS



CAT. A-4105-I

NTN 

[KIZEI]

A UNIQUE INNOVATION ON THE MARKET

The ISO spherical roller bearing with metallic shields by NTN-SNR.

The NTN-SNR R&D department developed an **unprecedented solution** for the market to extend spherical roller bearing service lifetime.

This **exclusive product** improves your equipment output.

ON THE MARKET TODAY:

FIELD SITUATION ANALYSIS WITH AN OPEN SPHERICAL ROLLER BEARING

Based on NTN-SNR lab internal analysis

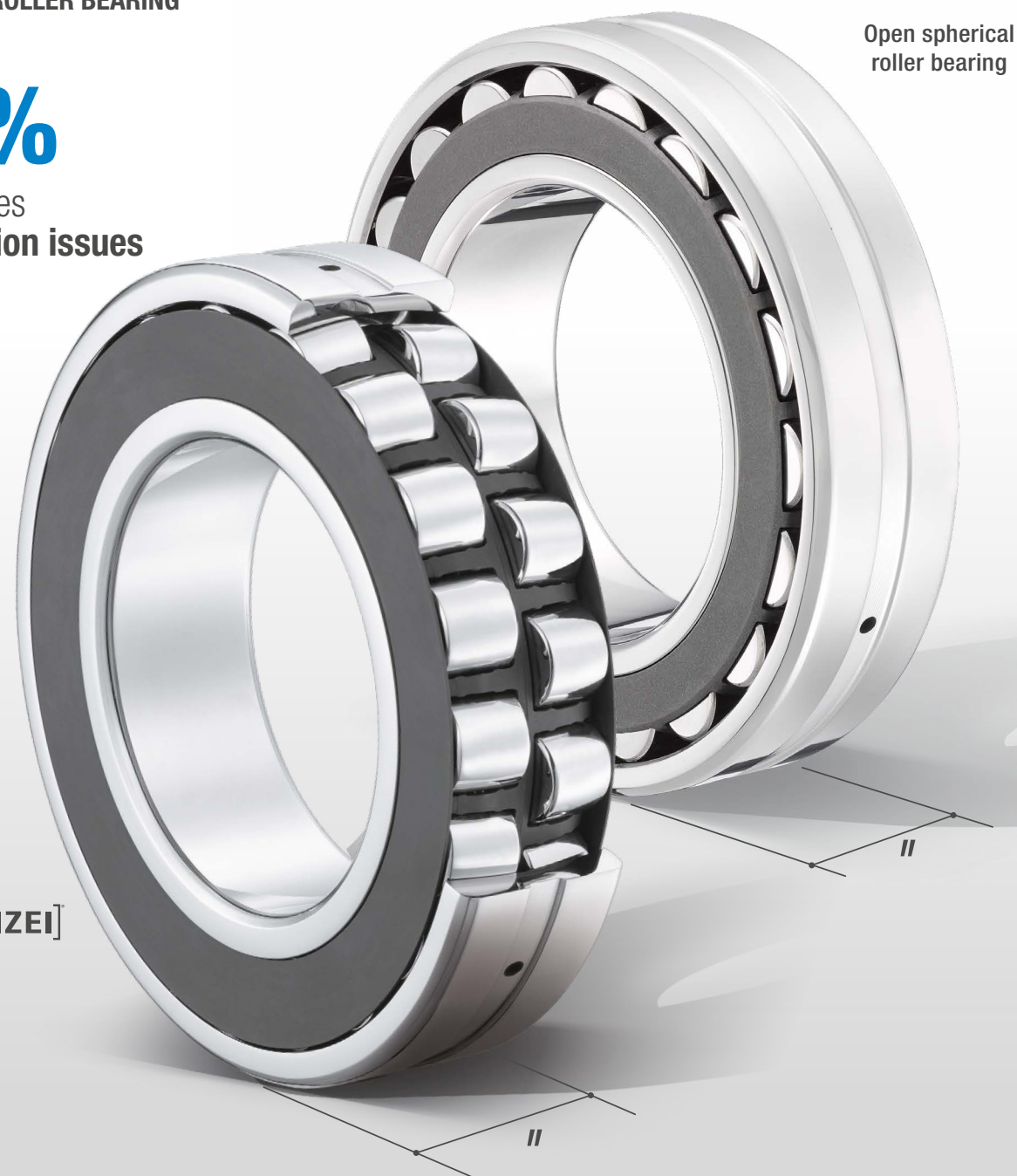
21%
of failures
due to solid pollution

13%
of failures
due to lubrication issues

With KIZEI®, change the game!

- **Protection** against external solid contamination
- Improvement of **grease retention** inside the bearing
- **ISO dimensions** to easily replace existing open spherical roller bearings

[KIZEI]



Open spherical roller bearing

[KIZEI] Technical features

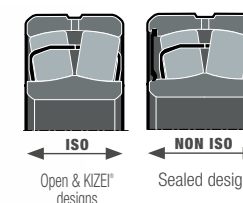
ULTAGE® LOAD RATINGS AND SPEEDS

- Designed and manufactured in accordance with **NTN premium class specifications**
- Satisfies **the most stringent quality** requirements

ISO DIMENSIONS

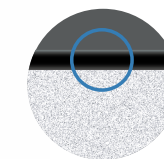
- **Same width** as open spherical roller bearing
- **100% interchangeable** with open spherical roller bearing
- Operational even in tight housings

Spherical roller bearing



HIGH QUALITY NITRIDED STEEL CAGE AND SHIELDS

- **Maximized shock resistance**
- Optimized corrosion resistance



WIDE WORKING TEMPERATURE RANGE

- **Same temperature range** as open spherical roller bearing (from -40°F up to +400°F)
- **Dimensional stability** up to +400°F



EASY LUBRICATION

- Delivered without grease
- Initial **lubrication process similar** to open spherical roller bearing
- Lubrication in service possible thanks to dedicated holes and groove on outer ring



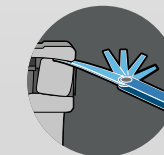
OPTIMAL MISALIGNMENT

- **Similar** to open spherical roller bearing
- **Possible internal inspection** to facilitate maintenance



SIMPLE MOUNTING

- **No special tool required:** standard sleeves, nuts and washers can be used
- Possibility to **check clearance after mounting**



[KIZEI]

CUSTOMER BENEFITS:

- Optimized production output due to longer service life
- Reduced maintenance costs
- Easy to use

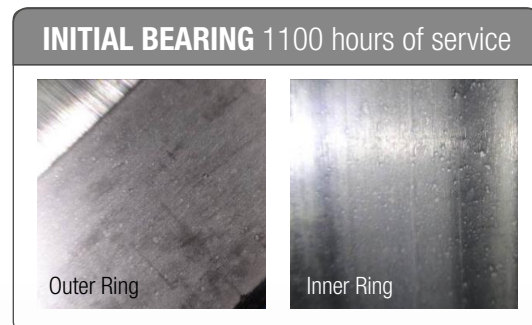


Optimized production output

▶ INCREASE YOUR MACHINE RELIABILITY

EXPERIENCE DRIVEN IN A QUARRY

Application: Quarry conveyor



Reduced maintenance costs

▶ MAXIMIZE YOUR PROFITS

EXPERIENCE DRIVEN IN A CEMENT PLANT

Application: Bucket elevator

	Open spherical roller bearing	[KIZEI]
Life time	1 month	3 months
Production stops	12 times/year	4 times/year
Maintenance costs	100	30

A 70% reduction in maintenance costs

Easy to use

▶ ISO DIMENSIONS

▶ HOW TO MOUNT KIZEI®:

Mounting and dismounting conditions are, in every aspect, similar to an open spherical roller bearing.

- Standard accessories
- Possible measurement of clearance

▶ HOW TO GREASE KIZEI®:

- KIZEI® bearings are sold ungreased so it is very important to add grease before being mounted in the application.
- The proper amount of grease depends on bearing size and can be referenced on Page 7.



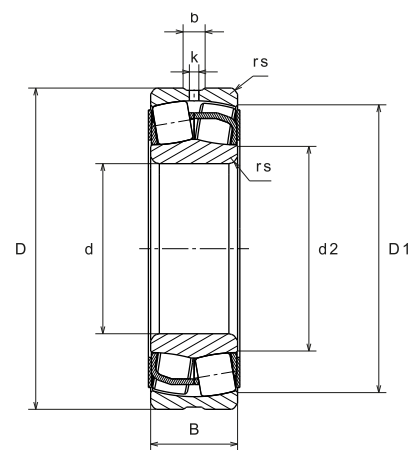
NTN-SNR SPHERICAL ROLLER BEARINGS: the most complete range on the market

KIZEI®, the viable alternative for dirty environments.

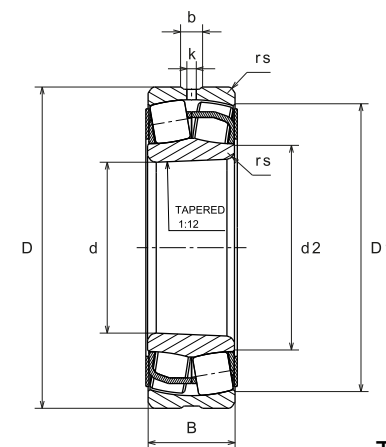
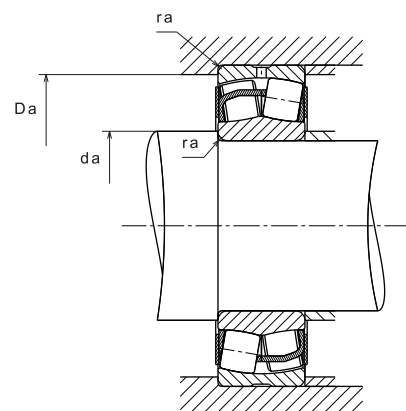
	OPEN	[KIZEI]	SEALED
Dimensions	ISO	ISO	Special
Protection	0	+*	++
Grease retention	0	+	++
Temperature range	-40°F to +400°F	-40°F to +400°F	+14°F to +250°F
Speed limit	++	++	+
Load rating	Ultage	Ultage	Ultage
Clearance check	Yes	Yes	No
Internal check	Yes	Yes	No
Sleeve & Nut	Standard	Standard	Special
Delivered with grease	No	No	Yes

* Suitable for solid dust proofing – no liquids.

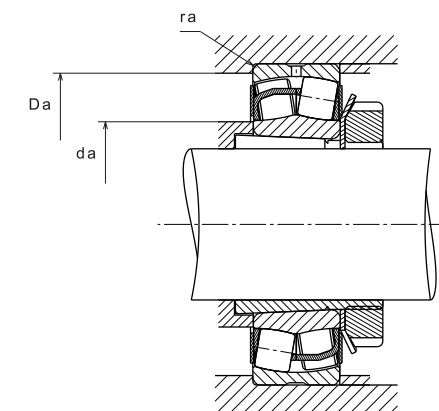
ULTAGE® [KIZEI] RANGE



Cylindrical Bore



Tapered Bore



Dynamic equivalent radial load

$$Pr = XFr + YFa$$

$\frac{Fa}{Fr} \leq e$		$\frac{Fa}{Fr} > e$	
X	Y	X	Y
1	Y1	0.67	Y2

Static equivalent radial load

$$Por = Fr + Y0Fa$$

For values e, Y1, Y2 and Y0 see the following table.

Bearing Number 1		Dimensions mm							Abutment dimensions mm			Load Ratings kN			Calculation factors				Speed rpm		Cyl. Bore Internal clearance μm		Tap. Bore Internal clearance μm		Initial grease addition cm ³	Weight kg		
Cylindrical Bore	Tapered Bore	d	D	B	rs	D1	d2	b	k	da min	Da max	ra max	Dynamic Cr	Static Cor	Fatigue Cu	e	Y1	Y2	Y0	Reference	Limit	min.	max.	min.		max.	cyl. Bore	tap. Bore
22208EAW33ZZ	22208EAKW33ZZ	40	80	23	1.1	70.8	50.2	5.40	2.5	47	73	1.0	116	105	11.0	0.27	2.47	3.68	2.41	8,200	11,000	30	45	35	50	5.49	0.54	0.52
22209EAW33ZZ	22209EAKW33ZZ	45	85	23	1.1	75.6	54.9	5.80	2.5	52	78	1.0	121	113	12.6	0.26	2.64	3.94	2.58	7,400	9,800	35	55	45	60	6.19	0.59	0.58
22210EAW33ZZ	22210EAKW33ZZ	50	90	23	1.1	80.7	59.5	5.80	2.5	57	83	1.0	130	124	14.5	0.24	2.84	4.23	2.78	6,700	9,100	35	55	45	60	6.70	0.63	0.62
22211EAW33ZZ	22211EAKW33ZZ	55	100	25	1.5	89.7	66.0	6.40	3.0	64	91	1.5	155	148	17.9	0.23	2.95	4.39	2.89	6,100	8,200	40	65	55	75	8.51	0.85	0.83
22212EAW33ZZ	22212EAKW33ZZ	60	110	28	1.5	98.5	71.9	6.90	3.0	69	101	1.5	187	181	22.0	0.24	2.84	4.23	2.78	5,600	7,500	40	65	55	75	12.03	1.18	1.17
22213EAW33ZZ	22213EAKW33ZZ	65	120	31	1.5	107.0	78.2	7.80	3.5	74	111	1.5	226	224	26.0	0.24	2.79	4.15	2.73	5,300	6,900	40	65	55	75	15.32	1.57	1.54
22215EAW33ZZ	22215EAKW33ZZ	75	130	31	1.5	117.8	88.4	7.40	3.5	84	121	1.5	244	249	30.2	0.22	3.13	4.67	3.06	4,600	6,200	50	80	70	95	17.46	1.72	1.68
22216EAW33ZZ	22216EAKW33ZZ	80	140	33	2.0	127.0	94.0	7.87	3.5	91	129	2.0	278	287	33.4	0.22	3.14	4.67	3.07	4,300	5,800	50	80	70	95	21.41	2.15	2.10
22217EAW33ZZ	22217EAKW33ZZ	85	150	36	2.0	136.5	100.7	7.90	3.5	96	139	2.0	324	330	38.7	0.22	3.07	4.58	3.01	4,100	5,400	60	100	80	110	28.93	2.64	2.63
22218EAW33ZZ	22218EAKW33ZZ	90	160	40	2.0	143.2	105.3	10.20	4.5	101	149	2.0	384	398	43.1	0.23	2.9	4.31	2.83	3,900	5,100	60	100	80	110	34.68	3.39	3.32
22220EAW33ZZ	22220EAKW33ZZ	100	180	46	2.1	160.8	118.2	11.20	5.0	112	168	2.0	472	495	52.6	0.24	2.84	4.23	2.78	3,600	4,600	60	100	80	110	53.15	4.99	4.93
22222EAW33ZZ	22222EAKW33ZZ	110	200	53	2.1	178.4	130.1	12.20	6.0	122	188	2.0	602	643	68.4	0.25	2.69	4.00	2.63	3,300	4,100	75	120	100	135	74.81	7.20	7.05
22224EAW33ZZ	22224EAKW33ZZ	120	215	58	2.1	192.3	141.9	12.20	6.0	132	203	2.0	688	753	78.2	0.25	2.74	4.08	2.68	3,000	3,800	75	120	100	135	92.14	8.90	8.75
22226EAW33ZZ	22226EAKW33ZZ	130	230	64	3	205.4	151.4	13.20	6.0	144	216	2.5	808	898	91.4	0.25	2.69	4.00	2.63	2,800	3,600	95	145	120	160	114.56	11.02	10.80
22228EAW33ZZ	22228EAKW33ZZ	140	250	68	3	223.9	163.9	14.20	7.0	154	236	2.5	867	1010	100	0.25	2.74	4.08	2.68	2,500	3,300	95	145	120	160	144.38	13.90	13.54

1) "K" indicates bearings have tapered bore with a taper ratio of 1:12.

ULTAGE[®]

[KIZEI] BEARING ADAPTER PART NUMBERS

Bore	Bearing	Adapter
35mm 1-1/4 1-15/16 1-3/8	22208EAKW33ZZ	H308 SNW08X1.1/4 SNW08X1.15/16 SNW08X1.3/8
40mm 1-3/8 1-7/16 1-1/2		H309 SNW09X1.3/8 SNW09X1.7/16 SNW09X1.1/2
45mm 1-5/8 1-1/16 1-3/4		H310 SNW10X1.5/8 SMW10X1.1/16 SNW10X1.3/4
50mm 1-3/4 1-7/8 1-15/16 2		H311 SNW11X1.3/4 SNW11X1.7/8 SNW11X1.15/16 SNW11X2
55mm 2 2-1/8	22212EAKW33CZZ	H312 SNW12X2 SNW12X2.1/16 SNW12X2.1/8
60mm 2 2-1/8 2-3/16 2-1/4 2-5/16		H313 SNW13X2 SNW13X2.1/8 SNW13X2.3/16 SMW13X2.1/4 SNW13X2.5/16
70mm 2-3/8 2-7/16 2-1/2	22215EAKW33ZZ	H315 SNW15X2.3/8 SNW15X2.7/16 SNW15X2.1/2
75mm 2-11/16 2-3/4		H316 SNW16X2.11/16 SNW16X2.3/4

Bore	Bearing	Adapter
80mm 2-15/16 3	22217EAKW33ZZ	H317 SNW17X2.15/16 SNW17X3
80mm 3-1/8 3-3/16 3-1/4		H318 SNW18X3.1/8 SNW18X3.3/6 SMW18X3.1/4
95mm 3-7/16 3-1/2	22220EAKW33ZZ	H320 SNW20X3.7/16 SNW20X3.1/2
100mm 3 7/8 3 15/16 4		H322 SNW22X3.7/8 SNW22X3.15/16 SNW22X4
110mm 4 1/8 4 3/16 4 1/4	22224EAKW33ZZ	H3124 SNW24X4.1/8 SNW24X4.3/16 SNW24X4.1/4
115mm 4 3/8 4 7/16 4 1/2		H3126 SNW26X4.3/8 SNW26X4.7/16 SNW26X4.1/2
125mm 4 7/8 4 15/16 5	22228EAKW33ZZ	H3128 SNW28X4.7/8 SNW28X4.15/16 SNW28X5

ULTAGE[®]

The ULTAGE Advantage

Combining premium-grade materials, optimized design and precision manufacturing, ULTAGE is the new generation of high-performance bearings from NTN that delivers unmatched service life, the highest limiting speeds and the best load capacities on the market to maximize the productivity of your equipment.

Encompassing a wide variety of key bearing types such as spherical roller, cylindrical roller, tapered roller, heavy duty mounted roller, angular contact and radial ball bearings, the ULTAGE line of superior, high-performance bearings from NTN delivers:

- Extended service life for better return on our end-users' investment.
- Greater performance, longer production and less downtime.
- Dependable product availability, thanks to a wide, robust distribution network.
- Extras that go beyond a standard offering, including on-site and web-based technical training, installation support, digital resources and more.

Spherical Roller Bearings

ULTAGE spherical roller bearings combine cutting-edge product research, premium-grade materials, and an optimized internal and external design to greatly extend bearing life. The result is greater profitability for our customers thanks to improved uptime and productivity.

- Made from premium-grade steel and larger rollers, ULTAGE SRBs provide a 65% increase in capacity compared to a conventional bearing, resulting in up to 5 times longer service life. In addition, ULTAGE SRBs provide up to 35% greater basic static load rating compared to conventional bearings.
- ULTAGE SRBs contain an optimized surface finish and incorporate high-performance, window-type pressed steel cage without the center guide ring for higher rigidity, stability, and better lubrication flow through the bearing. All these design features allows for a 20% higher limiting speeds when compared to conventional designs, reducing operating temperatures that extend lubrication intervals and keep production lines running longer.
- Our special heat treatment process allows for dimensional stability of the bearing up to 200°C (400°F) all while maintaining high hardness. The combination of high temperature stability and high hardness allows the bearing to achieve a longer life, thus reducing down time and increasing production.
- Manufactured in our state-of-the-art facilities which maintain consistently tighter tolerances through production, ULTAGE spherical roller bearings feature an optimized design that enables higher loads and faster rotational speeds. Besides allowing machines to run at maximum productivity, the improved design reduces heat generation for extended grease life and improved



Since 1918, NTN has been a trusted OE manufacturer of high-performing bearing products that increase companies' productivity and efficiency.

- NTN has been the world's broad-line bearing manufacturer for nearly 100 years.
- NTN has the largest bearing manufacturing footprint in the United States.
- NTN is the largest supplier of American-made products to the construction and mining industries.
- NTN is a major supplier to over two-thirds of the world's "Fortune 500" manufacturing companies.
- More cars worldwide ride on NTN bearings and drivetrains than any other manufacturer's product.



◀ NTN was the first bearing manufacturer to be awarded the prestigious Deming Prize for recognition of its quality products and systems.

Beyond Bearings

Training. Installation Support.
Trouble-shooting. And more.

When you choose NTN, your team is equipped with all the necessary tools and resources to get the job done right. From installation to problem-solving, we'll be there with the hands-on support you need to take on your toughest challenges. This includes extra services such as:



Technical Training Unit

On-site, mobile training unit offering specialized, hands-on instruction from NTN engineers



Product Training School

Three days of in-depth instruction from NTN engineers at NTN headquarters
(go.ntnamericas.com/trainingschool)



eKnowledge

WEB-BASED TRAINING PROGRAM

Six online product training modules covering different bearing types and nomenclature
(www.ntnamericas.com/eknowledge)



NTN Bearing Finder

Customizable search tool featuring exhaustive data sets, comprehensive part interchanges and interactive CAD drawings
(bearingfinder.ntnamericas.com)



[KIZEI] ARMORED TO FACE THE DIRT

Ready to get rolling? Contact us today for full details at
1-800-323-2358 or eng@ntnamerica.com.

NTN®

NTN BEARING CORPORATION OF AMERICA • 1600 E. Bishop Court • Mount Prospect, IL 60056-7604, U.S.A.

Tel: 847-298-7500 • Fax: 847-294-1205 • www.ntnamericas.com

NTN is a registered trademark of NTN Corporation. Osaka, Japan